

Compressed Air Driven Laboratory Mixer

TECHNICAL DATA SHEET

General Description

<p>Model Capabilities</p>	<p>L2/Air An efficient, lightweight machine powered by an intrinsically safe air motor suitable for use in Flameproof areas. Suitable for Mixing, Emulsifying, Blending, Homogenising, Disintegrating, Particle size reduction, De-agglomeration, Gelling, Solubilising, Reaction acceleration</p>
-------------------------------	--------------------------------------------------------------------------------------------------------------------------------------------------------------------------------------------------------------------------------------------------------------------------------------------------------

Construction

<p>Wetted surfaces Bench Stand Assemblies</p>	<p>316L Stainless steel Manually operated bench stand, cast iron base in Silverson blue Accepts any L4 or L5 Series mixing assemblies. Special Sealed Unit assemblies available.</p>
<p>Stators Bush material</p>	<p>GPDH, SQHS, EMSC, AFLH (2 frame arm standard assembly) Bronze Alloy or PTFE (standard) others available on request</p>

Motor specification

<p>Power rating Drive speed</p>	<p>0.25 hp air motor Infinitely variable speed via regulator Nominal maximum speed 6000 rpm Requires 50 psi compressed air supply. Consumes 19 cfm (540 liters) at full speed.</p>
<p>Supply</p>	

Optional Extras

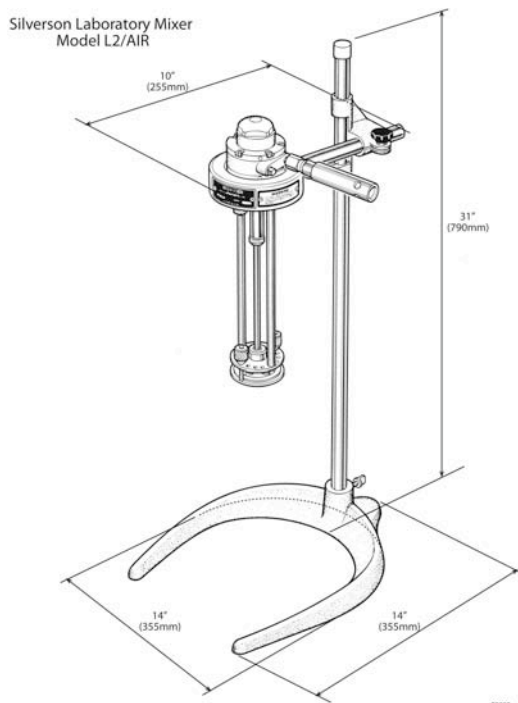
<p>Air regulator & gauge Water filter & lubricator Stainless steel motor unit</p>

Operating specification

<p>Maximum pressure Vessel volume Rotor blades Net weight</p>	<p>Atmospheric (standard) 1ml to 12 litres (water) 4 5.5 kg</p>
---------------------------------------------------------------------------	-----------------------------------------------------------------------------

Operating data

<p>Rotor diameter Tip speed Shear rate[‡] Turnover rate</p>	<p>30 mm 10 m/sec 42,957 s⁻¹ 4.16 t/min based on 12 litre vessel, GPDH at 6000 rpm</p>
----------------------------------------------------------------------------------	---------------------------------------------------------------------------------------------------------------



Advantages

Scale-Up
Accuracy in forecasting the performance of large machines under full-scale working conditions.

Workheads
Over 40 interchangeable mixing assemblies and workheads available including Pumphead, In-Line and Duplex assemblies

Performance
Unsurpassed speed and efficiency in every day laboratory work. Consistent and repeatable results every time. Ideal for small scale production.

Cleaning
A short run in water, detergent or an appropriate solvent between successive operations is normally sufficient. For more thorough cleaning, dismantling is easy and downtime is minimal.



[‡] Shear rates will be dependant on product and installation. Nominal shear rates quoted as a guide.
All dimensions shown are in inches. The dimensions shown are approximate only and certified diagrams should be used for installation purposes. Silverson Machines reserves the right to change dimensions and specifications without notice.